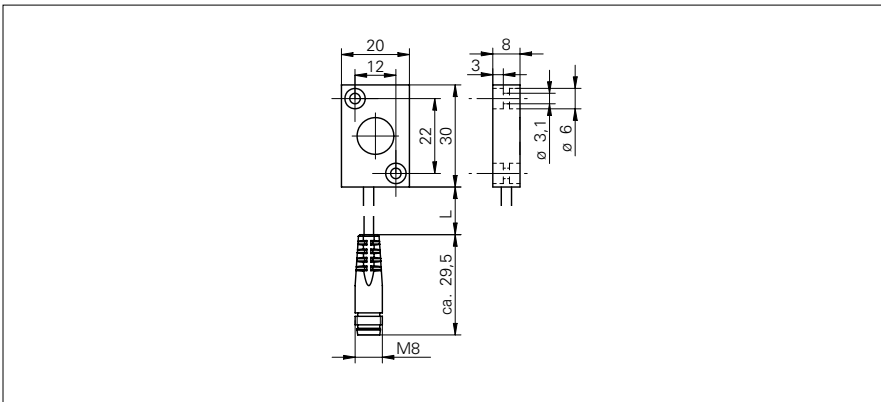


Inductive distance measuring sensors

IWFM 20U9509/KS35AP

dimension drawing



general data

mounting type	flush
measuring distance Sd	0 ... 2 mm
resolution	< 0,001 mm (stat.) < 0,005 mm (dynam.)
repeat accuracy	< 0,01 mm
linearity error	± 40 µm
temperature drift	± 2 % (Full Scale)

electrical data

response time (factory characteristic)	< 0,5 ms
voltage supply range +Vs	15 ... 30 VDC
current consumption max. (no load)	20 mA
output circuit	voltage output
output signal	0 ... 10 VDC
load resistance	> 1000 Ohm
short circuit protection	yes
reverse polarity protection	yes

mechanical data

type	rectangular
housing material	brass nickel plated
dimension	20 mm
housing length	30 mm
connection types	flylead connector M8

ambient conditions

operating temperature	-10 ... +70 °C
protection class	IP 67

photo



connection diagram

